

VAISALA

# Compressed Air Brochure

Measuring small changes can add to  
immeasurable results



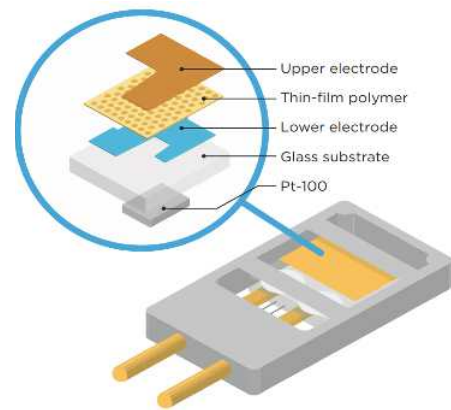
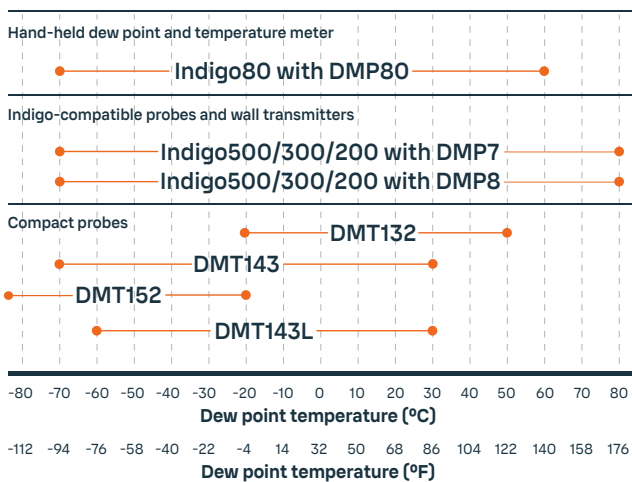
# Measuring small changes can add to immeasurable results

When dealing with compressed air, measuring small changes in dew point temperature can really make a difference. The benefit from our unique DRYCAP® sensor technology covers the full dew point range for practically any compressed air system. Increasing the life of your compressed air system, improving process quality and lowering costs is now easier than ever.

Vaisala instruments can accurately measure every quality class of compressed air

Whatever your application, you'll find the optimal dew point instrument from the Vaisala portfolio. All Vaisala sensors withstand exposure to contaminants like water spikes, ambient humidity, compressor oil and chemical impurities.

## Optimal measurement range for each product



### Vaisala DRYCAP® sensor

- excellent accuracy and stability
- high chemical tolerance
- sensor purge and warming
- fast response time (avg. dry-to-wet 5 s / wet-to-dry 45 s)

01

### **Material savings through quick reaction time**

Vaisala dew point measurement products have some of the fastest wet-to-dry and dry-to-wet response times in the market. You can spot changes in production conditions immediately and avoid wasting materials and production time.

02

### **Energy savings through continuous measurement stability**

You can rely on Vaisala's patented auto-calibration function to maintain the measurement stability and keep the production conditions optimized.

03

### **Cost savings through accurate measurement**

Vaisala's dew point measurement products help you optimize the moisture levels of your production process, and to prevent unwanted developments such as corrosion of equipment or growth of bacteria. This will help to ensure high-quality compressed air and first-class end-products.



## Indigo-compatible probes



### DMP7

dewpoint and temperature probe for remote installations in tight spaces

- For remote installations in tight spaces
- Superior chemical resistance
- Pressure up to 10 bar
- Modbus RTU over RS-485 for flexible connectivity
- Compatible with Indigo Series transmitters
- DRYCAP® sensor technology
- Thread adapters and other accessories available



### DMP8

dewpoint and temperature probe with adjustable installation depth for pressurized pipelines <40 bars

- Adjustable installation depth
- Pressure up to 40 bar
- Compatible with Indigo Series transmitters
- DRYCAP® sensor technology
- BALLVALVE-1 Ball Valve set
- Thread adapters and other accessories available



### DMP80

for spot-checking and calibrating dew point measurements

- Optimized for portable measurements with integrated handle design for direct process measurements.
- IP66-classified for protection against moisture and dust.
- Superior stability ensured by sensor warming to prevent condensation.
- Measurement range:  
A variant: -40 ... +60 °C Td/f  
B variant: -70 ... +60 °C Td/f.
- Compatible with Indigo80 and Insight PC software.



The Vaisala Indigo family is a customizable instrument platform designed to improve process measurements.

The Indigo family's key feature is modularity. It contains a selection of transmitters, interchangeable smart probes that measure various parameters, and software for easy interfacing and monitoring of data.

» [Read more](#) about the Indigo ecosystem and the interchangeable measurement probes.

## Compact probes for original equipment manufacturers and sampling cells



### DMT132

dewpoint transmitter for refrigerant dryers

Affordable, yet highly accurate:  $\pm 1\text{ }^{\circ}\text{C}$  ( $\pm 1.8\text{ }^{\circ}\text{F}$ ) in refrigerant dryer measurement range  
Excellent long-term stability – resistant to compressor oil  
Low powered, 10 ... 28 VDC  
Pressure up to 20 bar  
HUMICAP® sensor technology



### DMT152

dewpoint transmitter for very dry applications

Measurement range down to  $-80\text{ }^{\circ}\text{C}$  ( $-112\text{ }^{\circ}\text{F}$ )  
Pressure up to 50 bar  
DRYCAP® sensor technology



### MINIATURE DMT143 & DMT143L (LONG)

dewpoint transmitters for industrial dryers and tight spaces

Small size for compact industrial dryer applications  
Stable and cost-efficient  
LED alarm for exceeded dew point level  
DMT143: pressure up to 50 bar  
DMT143L: pressure up to 20 bar  
DRYCAP® sensor technology  
DMT143 is compatible with the Indigo80 for spot checking and calibration without removing the probe from the process



### SAMPLING CELLS

[Learn more about sampling cells](#)

DMT242SC ISO threaded sample cell  
SC-025NPT NPT threaded sample cell  
DMT242SC2 sample cell with swagelok 1/4" male connectors  
DSC74 sample cell with quick connector and leak screw  
DSC74B Two-pressure sampling cell  
DSC74C Two-pressure sampling cell with coil



# Indigo series transmitters



## INDIGO500

series transmitters for easy data evaluation and visualization

- Color touch screen display
- 2-4 analog outputs (mA/Vdc selectable)
- 2x relays
- 24Vdc or 120Vac power options
- Data logging
- Ethernet port, web user interface, Modbus TCP/IP



## INDIGO300

series transmitters for analog outputs and visualization

- Color display
- IP65 metal housing
- 24 V AC/DC power supply input
- 3 pre-configured analog outputs (mA or V)
- Service port on the front



## INDIGO200

series transmitters for analog outputs and visualization

- 1 interchangeable probe connection (direct or with extension cable)
- Up to 3 parameters can be shown
- Display or display-less version
- 3 analog outputs (mA/Vdc selectable)
- 2x relays
- 24Vdc Power



## INDIGO80 HANDHELD

Handheld indicator for field sampling and calibration, data analysis and diagnostics

- Wide dew point measurement range
- Dual-probe, high-accuracy portable diagnostics and data logging tool
- Industry standard USB-C interface
- Interactive multilingual menu-based user interface
- Compatible with all Indigo-compatible probes and transmitters, including DMP80 and HMP80 handheld probes and GMP80P probe with pump sampling.



» Visit [vaisala.com/compressedair](https://vaisala.com/compressedair) for more information about the available instruments and accessories.

Please don't hesitate to contact us for questions.

## Related products



### REMOTE DISPLAYS

Nokeval 301 4-20mA,  
loop-powered  
Nokeval 302 4-20mA,  
loop-powered, alarm relays



### CONNECTION CABLES

M12/5 pin Male/Female extension cables  
M12/5 pin open leads  
M8/4 pin Male/Female extension cables  
M8/4 pin open leads  
... and more

**VAISALA**



[vaisala.com](https://vaisala.com)

Ref. B212711EN-D ©Vaisala 2024

This material is subject to copyright protection, with all copyrights retained by Vaisala and its individual partners. All rights reserved. Any logos and/or product names are trademarks of Vaisala or its individual partners. The reproduction, transfer, distribution or storage of information contained in this brochure in any form without the prior written consent of Vaisala is strictly prohibited. All specifications – technical included – are subject to change without notice.